



# DH Double acting hollow piston cylinders

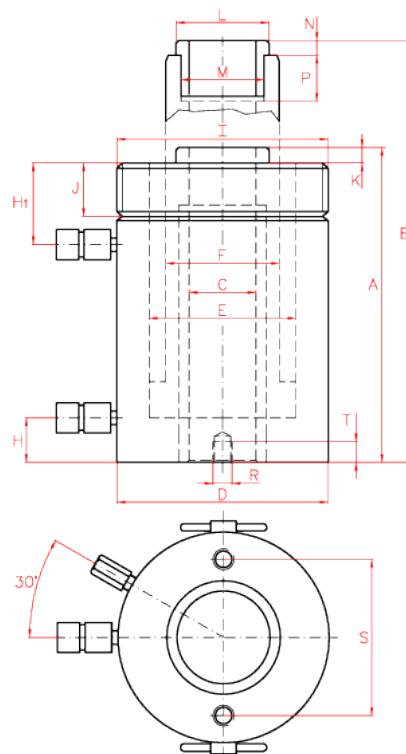
- ✓ Capacity from 30 to 150 Tn, stroke up to 250 mm.
- ✓ For push and pull operations: Tensioning cables and bolts, pulling sleeves and bearings.
- ✓ Collar thread, piston end thread and base holes for easy fixing.
- ✓ Hollow plain saddle as standard. Optional solid or threaded saddles available.
- ✓ External safety valve to prevent accidental over-pressure.



**LARZEP**®  
HYDRAULIC

# Technical Information

Capacity	Stroke	Model	Capacity (kN)		Oil Cap	Closed Height	Hole $\phi$	Weight
			Push	Pull				
Tn	mm	LARZEP			cm <sup>3</sup>	mm	mm	Kg
30	150	DH03015	302	173	660	300	33	22
	250	DH03025	302	173	1.100	400	33	28
60	80	DH06008	578	356	674	249	56	35
	150	DH06015	578	356	1.263	319	56	42
	250	DH06025	578	356	2.105	419	56	53
100	38	DH10004	1.018	647	564	197	81	48
	76	DH10008	1.018	647	1.128	255	81	60
	150	DH10015	1.018	647	2.226	335	81	76
	250	DH10025	1.018	647	3.709	465	81	102
150	200	DH15020	1.407	566	4.096	375	81	11



## INDUSTRY LEADERS IN CONTROLLED BOLTING SOLUTIONS



HTL Australasia Pty Ltd  
 466 Victoria Road  
 Malaga, WA 6090  
 Western Australia

Telephone: +61 (0) 8 9249 3980

Email: [info@htl-australasia.com](mailto:info@htl-australasia.com)

Visit: [www.htl-australasia.com](http://www.htl-australasia.com)

