



DM, DI, Double acting production cylinders

- ✓ Capacity from 4 to 23 Tn, stroke up to 260 mm.
- ✓ For carrying out push and pull operations.
- ✓ Black nitrated to improve corrosion resistance.
- ✓ Designed for long life in production applications.
- ✓ Big range of mounting accessories: flange, mounting block, nut, clevis eye. It is necessary the nut to fix the flange or the mounting block.

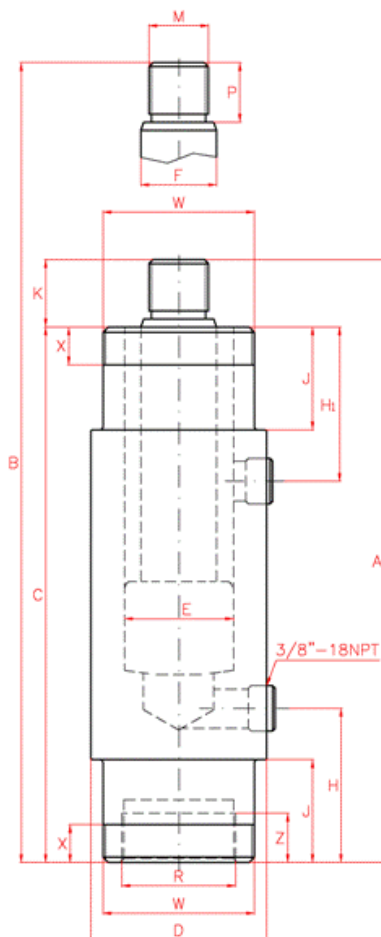


Warning: DM models are not equipped with safety valve to prevent accidental over-pressure.

LARZEP[®]
HYDRAULIC

Technical Information

Capacity Tn	Stroke mm	Model LARZEP	Capacity (kN)		Oil Cap cm ³	Closed Height		Weight Kg
			Push	Pull		mm		
4	28	DI00403	34	12	14	186	2,0	
	79	DI00408	34	12	39	237	2,9	
	155	DI00416	34	12	76	313	3,9	
8	28	DI00803	86	44	35	223	3,7	
	79	DI00808	86	44	99	274	4,7	
	155	DI00816	86	44	195	350	6,4	
	257	DI00826	86	44	323	452	9,0	
15	159	DI01516	139	73	323	389	9,0	
	260	DI01526	139	73	527	490	11,7	
23	159	DI02316	228	93	527	425	17,0	
	260	DI02326	228	93	863	526	21,0	



NOTE: 4 Tn cylinders have a 1/4" BSP thread for the couplers.

INDUSTRY LEADERS IN CONTROLLED BOLTING SOLUTIONS



HTL Australasia Pty Ltd
466 Victoria Road
Malaga, WA 6090
Western Australia

Telephone: +61 (0) 8 9249 3980

Email: info@htl-australasia.com

Visit: www.htl-australasia.com

