



SMX series

- ✓ Capacity from 4 to 150 Tn, stroke up to 16 mm.
- ✓ Two versions: SX for load return, and SMX for spring return.
- ✓ For use in confined spaces: machinery positioning, tool fastening.
- ✓ With two parallel faces for horizontal operation.
- ✓ Mounting bolt holes for easy fixing.
- ✓ Models up to 30 Tn are black nitrated.
- ✓ SX models from 50 to 150 Tn have optional tilting saddle.
- ✓ Also available telescopic model SLX.

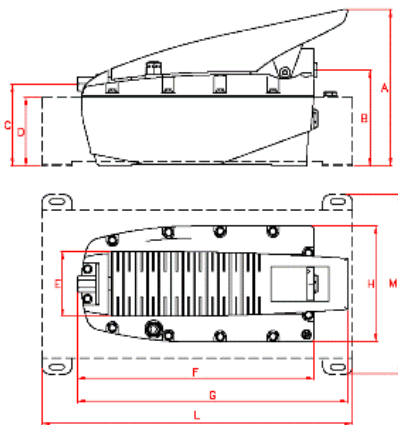


LARZEP®
HYDRAULIC

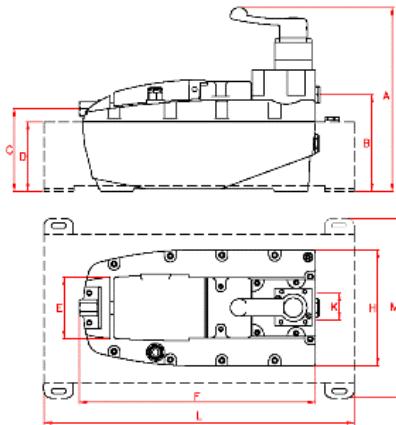
Technical Information

Capacity		Stroke	Model	Oil Cap.	A	B	D	E	F	L*	N*	O	P	S	R	Area	Weight
Tn	kN	mm	LARZEP	cm ³	mm	mm	mm	mm	mm	mm	mm	mm	mm	mm	mm	cm ²	kg
4	44	6	SMX00406	4	33	39	41	28,5	25	-	-	20	21	28	5,5	6	0,8
		16	SMX00416	11	43	59	41	28,5	25	-	-	20	21	28	5,5	6	1,2
10	100	11	SMX01011	16	43	54	56	43	38	-	-	33	29	37	6,5	15	1,6
22	228	11	SMX02211	37	52	63	80	65	57	-	-	39	41	50	9	33	2,8
30	287	13	SMX03013	55	59	72	95	73	60	-	-	46	47	52	11	42	4,1
50	487	16	SMX05016	114	68	84	114	95	78	61	12	56	58	67	13	71	6,6
75	713	16	SMX07516	167	79	95	140	115	95	61	12	66	70,5	75	13	104	12,5
100	954	16	SMX07516	12	66	70,5	75	13	104	12,5	14	70	89	76	6,6	139	15,0
150	1.450	16	SMX07516	338	100	116	194	164	134	88	14	78	108	117	9	211	25,0

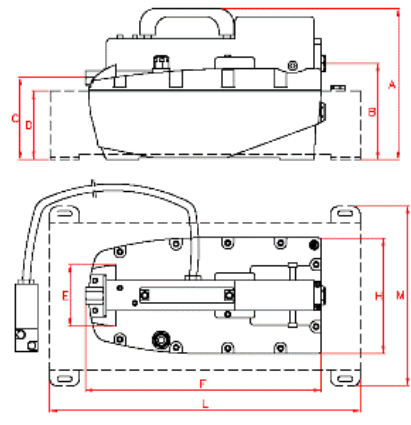
Z12107 Z14007 Z17007 Z19107 Z19207



Z22107 Z24007 Z27007 Z29107 Z29207



ZR12107 ZR14007 ZR17007 ZR19107 ZR19207



INDUSTRY LEADERS IN CONTROLLED BOLTING SOLUTIONS



HTL Australasia Pty Ltd
 466 Victoria Road
 Malaga, WA 6090
 Western Australia

Telephone: +61 (0) 8 9249 3980

Email: info@htl-australasia.com

Visit: www.htl-australasia.com

