



STX Single acting pancake lock nut cylinders

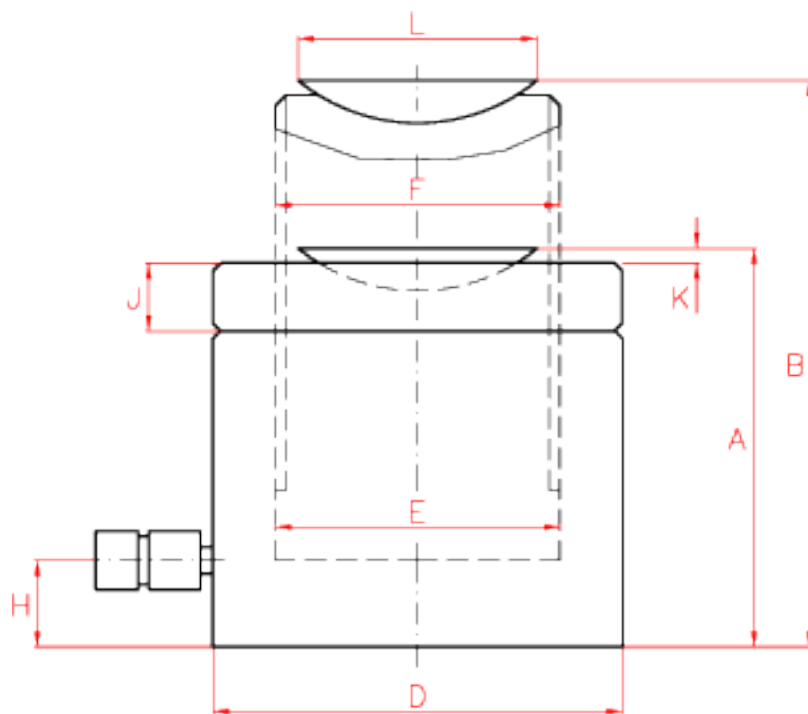
- ✓ Capacity from 50 to 1.100 Tn, stroke up to 50 mm.
- ✓ Load return. Lock nut tested under 50% overload.
- ✓ The lock nut holds the load mechanically for long periods of time.
- ✓ Hydraulic end of stroke overflow port. Without stop ring.
- ✓ Built-in tilting saddle to improve side load resistance.
- ✓ Special coating as standard to improve corrosion and side load resistance.



LARZEP[®]
HYDRAULIC

Technical Information

Capacity		Stroke mm	Model LARZEP	Oil Cap. cm ³	Closed Height	Weight
Tn	kN					kg
50	486	50	STX05005	355	125	11
90	911	45	STX09004	597	137	22
140	1.380	45	STX14004	905	148	39
220	2.156	45	STX22004	1.413	155	62
350	3.468	45	STX35004	2.208	178	111
430	4.227	45	STX43004	2.771	184	126
550	5.520	45	STX56004	3.618	192	193
670	6.600	45	STX67004	4.330	236	259
880	8.620	45	STX88004	5.655	268	482
1.100	10.905	45	STX110004	7.157	295	532



INDUSTRY LEADERS IN CONTROLLED BOLTING SOLUTIONS



HTL Australasia Pty Ltd
 466 Victoria Road
 Malaga, WA 6090
 Western Australia

Telephone: +61 (0) 8 9249 3980

Email: info@htl-australasia.com

Visit: www.htl-australasia.com

