



# Single Acting Hollow Piston Cylinders, Spring Return

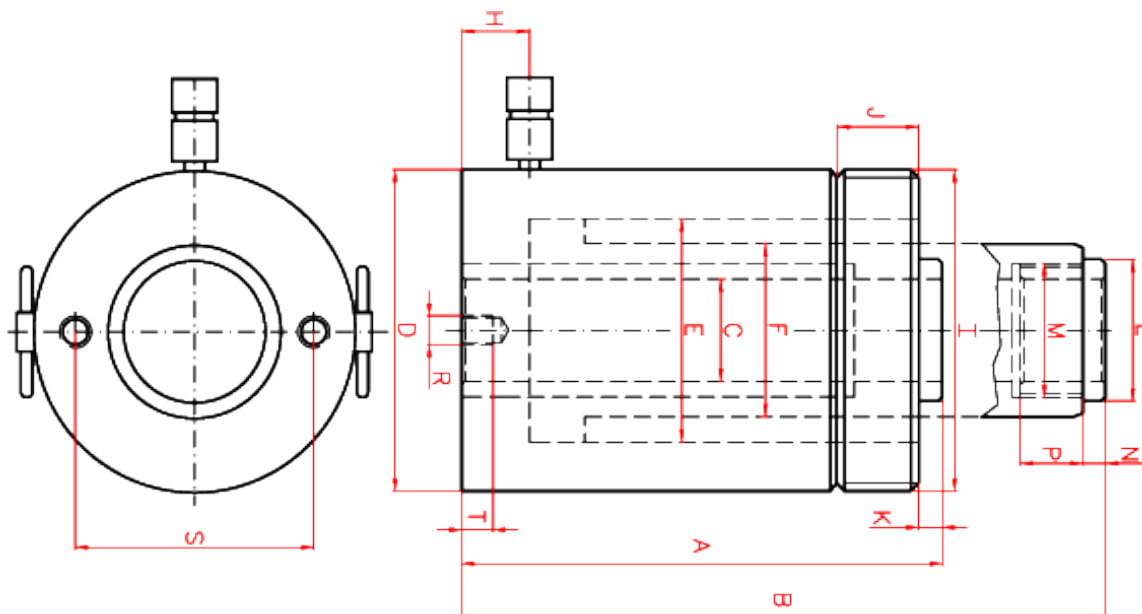
- ✓ Capacity from 12 to 100 Tn, stroke up to 150 mm.
- ✓ For push and pull applications: Tensioning cables and bolts, pulling sleeves and bearings.
- ✓ Hollow hard chrome-plated piston.
- ✓ Collar threads, piston end thread and base holes for easy fixing.
- ✓ Interchangeable with our complete puller range.
- ✓ Hollow plain saddle as standard. Optional solid or threaded saddles available.
- ✓ Hollow cylinders also available in double acting DH and aluminium SAH and DAH.



**LARZEP**<sup>®</sup>  
HYDRAULIC

# Technical Information

Capacity		Stroke	Model	Oil Cap.	A	B	C	D	E	F	H	I	J	K	L	M	N	P	R	S	T	Area	Weight	
Tn	kN	mm	LARZEP	cm <sup>3</sup>	mm	mm	mm	mm	mm	mm	mm	mm	mm	mm	mm	mm	mm	mm	mm	mm	mm	mm	cm <sup>2</sup>	kg
12	121	40	SH01204	70	124	164	21	75	55	40	19	2 3/4"-16	30	3	34	M28*1,5	7	18	5/16"-18	51	12	18	3,4	
		76	SH01208	134	176	252	21	75	55	40	19	2 3/4"-16	30	3	34	M28*1,5	7	18	5/16"-18	51	12	18	4,6	
		150	SH01215	264	300	450	21	75	55	40	19	2 3/4"-16	30	3	34	M28*1,5	7	18	5/16"-18	51	12	18	7,6	
22	217	50	SH02205	158	165	215	27	105	75	56	23	3 7/8"-12	38	3	48	1 9/16"-16	8	20	3/8"-16	83	15	32	8,6	
		76	SH02208	240	203	279	27	105	75	56	23	4 7/8"-12	38	3	48	2 9/16"-16	8	20	3/8"-16	83	15	32	11,5	
		150	SH02215	474	318	468	27	105	75	56	23	3 7/8"-12	38	3	48	1 9/16"-16	8	20	3/8"-16	83	15	32	16,4	
30	302	64	SH03006	281	197	261	34	120	90	68	27	4 1/2"-12	42	4	55	1 13/16"-16	9	22	3/8"-16	92	17	44	13,2	
		150	SH03015	660	322	472	34	120	90	68	27	4 1/2"-12	42	4	55	1 13/16"-16	9	22	3/8"-16	92	17	44	18,5	
60	578	76	SH06008	640	223	299	56	160	125	95	25	6 1/4"-12	48	4	80	2 3/4"-16	12	22	1/2"-13	130	14	84	29,0	
		153	SH06015	1.288	315	468	56	160	125	95	25	6 1/4"-12	48	4	80	2 3/4"-16	12	22	1/2"-13	130	14	84	38,0	
100	1.018	80	SH10008	1.187	282	362	81	213	170	130	30	8 3/8"-12	60	5	116	4"-16	13	25	5/8"-11	178	19	148	58,0	
		150	SH10015	2.225	367	517	81	213	170	130	30	8 3/8"-12	60	5	116	4"-16	13	25	5/8"-11	178	19	148	79,0	



## INDUSTRY LEADERS IN CONTROLLED BOLTING SOLUTIONS



HTL Australasia Pty Ltd  
 466 Victoria Road  
 Malaga, WA 6090  
 Western Australia

Telephone: +61 (0) 8 9249 3980

Email: [info@htl-australasia.com](mailto:info@htl-australasia.com)

Visit: [www.htl-australasia.com](http://www.htl-australasia.com)

