



HTL Power-Pro Hydraulic Tool Pumps

The HTL Power-Pro Hydraulic Tool Pump provides the ideal solution to power both single and double acting hydraulic tools, for example nut splitters, flange spreaders, lifting cylinders and endless other applications.

The compact, yet powerful design along with the manual valve allows full operator control of any single or double acting tool. Each pump unit comes complete with a robust, compact and operator friendly protective carrying frame for ease of use.

Features and Benefits

- ✓ Single or double acting tool use available
- ✓ Remote hand control available for all pumps
- ✓ Protective carry frame
- ✓ Oil level sight glass
- ✓ Hose assemblies available to suit your requirements



Whats Included

Each pump is despatched containing all items to ensure immediate use.

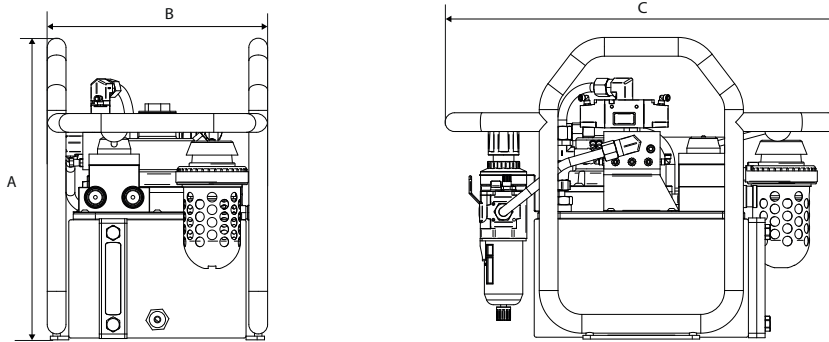
- ✓ Full calibration certificate
- ✓ Letter of Conformity
- ✓ Spare parts list
- ✓ Operating instructions
- ✓ HTL Worldwide Pro-46 Hydraulic Oil
- ✓ Twin line hose assembly (custom lengths available)



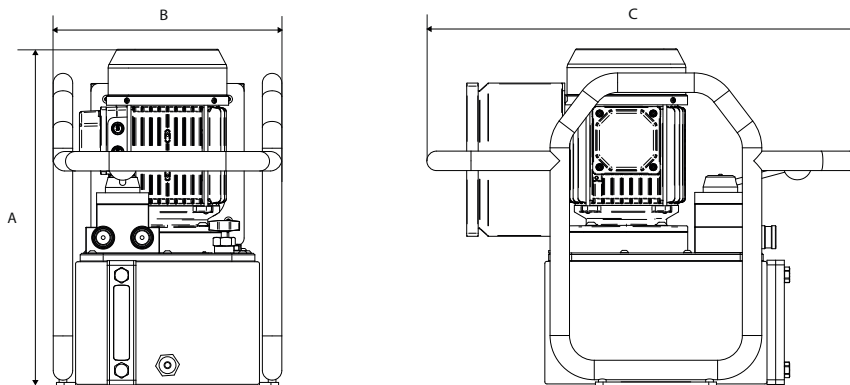
Technical Information

| Model | Power Type | Weight Kg | Reservoir | | Frame | Power Required | A | | B | | C | |
|---------------------|------------|--------------|-----------|---------|-------|----------------|-----|------|-----|------|-----|------|
| | | | Litres | Gallons | | | mm | Inch | mm | Inch | mm | Inch |
| Single Air | Air | 32 | 9 | 2 | Yes | 50 CFM | 408 | 18.6 | 352 | 13.9 | 531 | 21.0 |
| Single Electric 110 | 110v | 32 | 9 | 2 | Yes | 110v | 439 | 18.3 | 352 | 13.9 | 531 | 21.0 |
| Single Electric 240 | 240v | 32 | 9 | 2 | Yes | 240v | 439 | 18.3 | 352 | 13.9 | 531 | 21.0 |
| Double Air | Air | 32 | 9 | 2 | Yes | 50 CFM | 408 | 18.6 | 352 | 13.9 | 531 | 21.0 |
| Double Electric 110 | 110v | 32 | 9 | 2 | Yes | 110v | 439 | 18.3 | 352 | 13.9 | 531 | 21.0 |
| Double Electric 240 | 240v | 32 | 9 | 2 | Yes | 240v | 439 | 18.3 | 352 | 13.9 | 531 | 21.0 |

Power-Pro Air



Power-Pro Electric



PLEASE NOTE: Figures provided are for guidance only, please refer to individual tool charts. All data is given in good faith and without acceptance of responsibility on the part of HTL.

INDUSTRY LEADERS IN CONTROLLED BOLTING, FLANGE WORKING AND PORTABLE MACHINE SOLUTIONS



HTL Australasia Pty Ltd
 466 Victoria Road
 Malaga, WA 6090
 Western Australia

Telephone: +61 (0) 8 9249 3980
 Email: info@htl-australasia.com
 Visit: www.htl-australasia.com

