

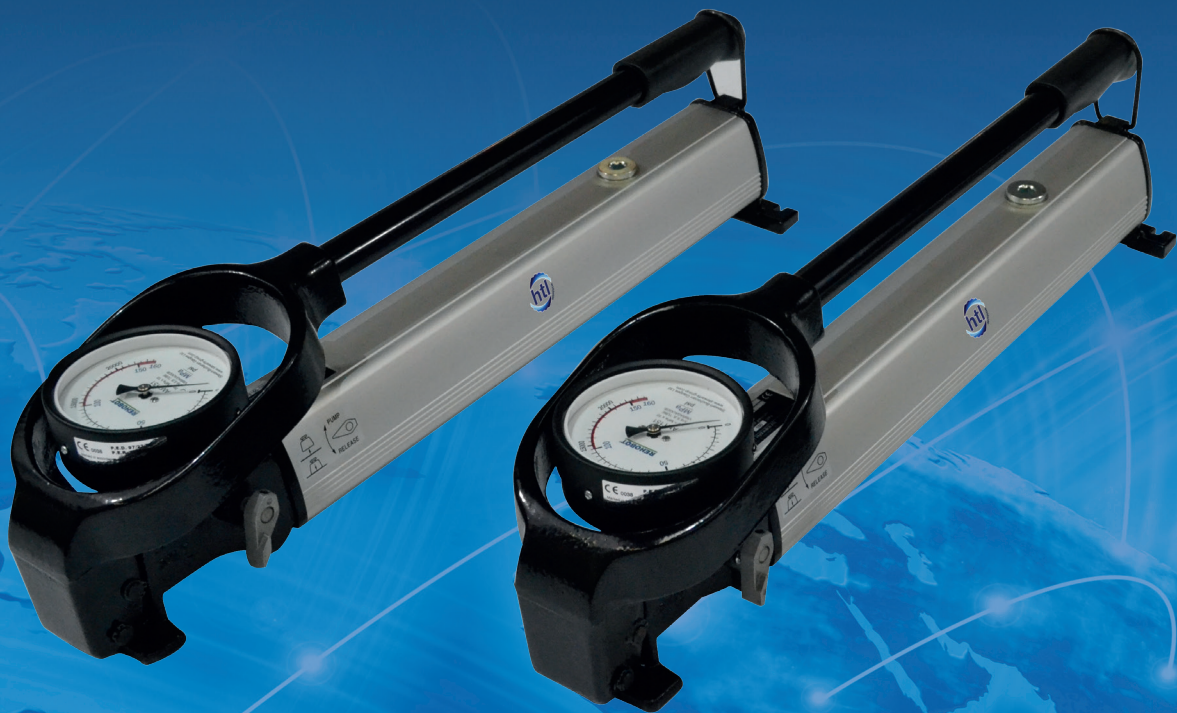
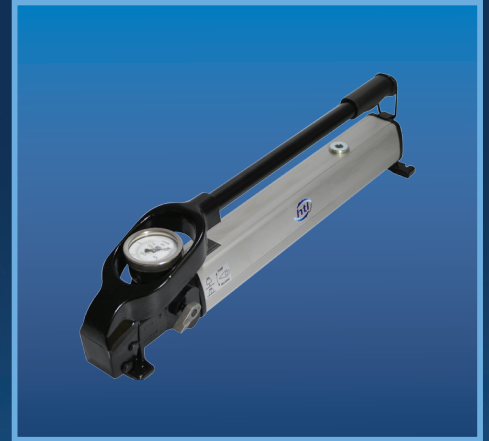


Hand Tensioner Pump

The Hand Tensioner Pump is designed for those applications where there is no power available. These lightweight hand tensioner pumps are safe, low maintenance and durable which meet all of the requirements of onsite bolt tensioning challenges. They are easy to operate and are supplied complete with a calibrated pressure gauge and quick release outlet coupling. The lightweight and portable design makes this the ideal pump for when you're on the move.

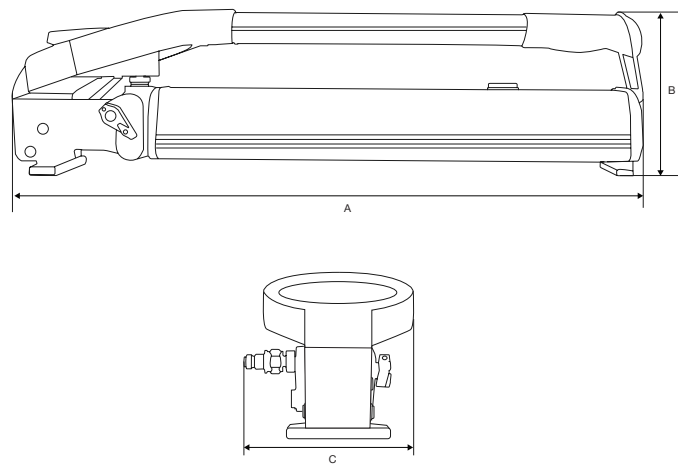
Features and Benefits

- ✓ Needle release valve - offers full pressure relief control
- ✓ Made in the UK
- ✓ Aluminium tank
- ✓ Low weight & maintenance friendly
- ✓ Easy to refill oil and with optional overflow valve
- ✓ Integral pressure gauge



Technical Information

Model	Max Pressure		Oil Capacity	Pump Stroke Pressure		Pumping Effort	A	B	C	Weight
	Bar	psi	CM ³	Low (CM ³)	High (CM ³)	N	mm	mm	mm	Kg
PHS150-1000L	1500	21750	1000	20	1	370	620	170	110	8.5
PHS150-2400L	1500	21750	2400	20	1	370	620	170	110	10.3



PLEASE NOTE: Figures provided are for guidance only, please refer to individual tool charts. All data is given in good faith and without acceptance of responsibility on the part of HTL.

INDUSTRY LEADERS IN CONTROLLED BOLTING, FLANGE WORKING AND PORTABLE MACHINE SOLUTIONS



HTL Australasia Pty Ltd
 466 Victoria Road
 Malaga, WA 6090
 Western Australia

Telephone: +61 (0) 8 9249 3980
 Email: info@htl-australasia.com
 Visit: www.htl-australasia.com

