



Square Drive Torque Wrench Attachment

The HTL Square Drive Torque Wrench Attachment is part of HTL's innovative 3-in-1 Hydraulic Torque Wrench range and works with HTL's range of 'W' Low Profile Hydraulic Torque Wrenches.

Due to its innovative design and the high quality materials used, this tool is extremely durable and easy to operate.

A 360 degree, fully adjustable in-line reaction arm ensures the operator can select a reaction point to suit any application.

With square drive attachment sizes available from 3/4" to 2 1/2" and torque ranges from 255 to 31,800 ft.lb, 346 to 43,100 Nm the HTL Square Drive Torque Wrench Attachment is suitable for a wide range of applications.

Interchangeable and Cross Compatible Design

The design ensures that the operator can interchange ratchet links with many other well-known brands (specifically Hylorc, Rapid-Torc and Atlas Copco).

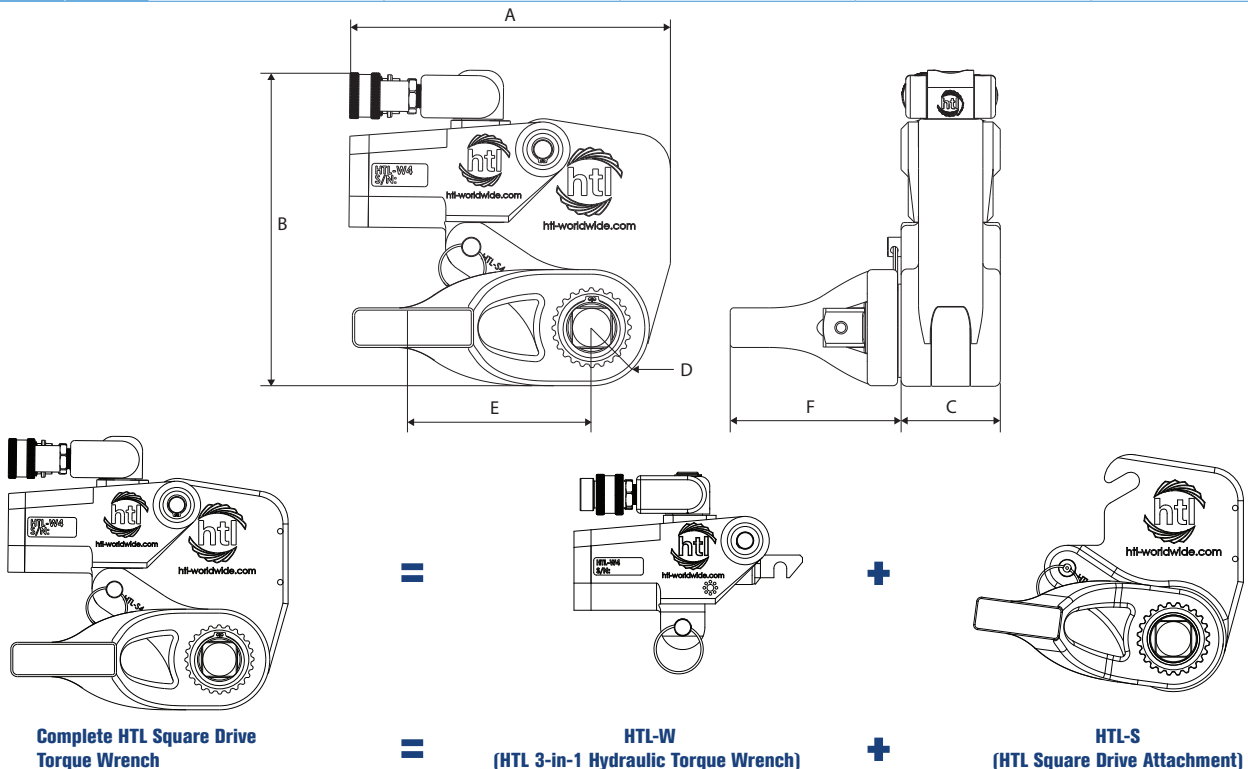
Features and Benefits

- ✓ Fully interchangeable with many other well-known brands (Hylorc, Rapid-Torc and Atlas Copco)
- ✓ Made in the UK
- ✓ Calibrated and Accurate to +/- 3%
- ✓ Only 3 moving parts for reliability and maintenance
- ✓ Square drive sizes from 3/4" to 2 1/2"
- ✓ Fully adjustable 360 degree in-line reaction arm
- ✓ Supplied with link pin retainer



Technical Information

Model		HTL-S2	HTL-S4	HTL-S8	HTL-S14	HTL-S30
Torque Wrench		HTL-W2	HTL-W4	HTL-W8	HTL-W14	HTL-W30
Square Size	Inches	3/4"	1"	1 1/2"	1 1/2"	2 1/2"
Min Torque	Ft-lbs	255	580	1143	2010	4770
	Nm	346	786	1549	2725	6466
Max Torque	Ft-lbs	1710	3855	8151	13400	31800
	Nm	2318	5226	11049	18165	43108
Weight	Kg	2.7	4.1	8.2	13.5	40
	mm	160	212	267	311	435
A	Inch	6.3	8.4	10.5	12.2	17.1
	mm	158	205	254	297	390
B	Inch	6.2	8.1	10	11.7	15.4
	mm	49.5	65.5	80	99	135
C	Inch	1.9	2.6	3.1	3.9	5.3
	mm	30	38.5	50.5	58	88
D	Inch	1.2	1.5	2.0	2.3	3.5
	mm	120	158	210	210	390
E	Inch	4.7	6.2	8.3	8.3	15.3
	mm	83.5	110	160.5	162.5	244
F	Inch	3.3	4.3	6.3	6.4	9.6



PLEASE NOTE: Figures provided are for guidance only, please refer to individual tool charts. All data is given in good faith and without acceptance of responsibility on the part of HTL.

INDUSTRY LEADERS IN CONTROLLED BOLTING, FLANGE WORKING AND PORTABLE MACHINE SOLUTIONS



HTL Australasia Pty Ltd
466 Victoria Road
Malaga, WA 6090
Western Australia

Telephone: +61 (0) 8 9249 3980
Email: info@htl-australasia.com
Visit: www.htl-australasia.com

