



Norbar Pistol Grip Pneumatic Wrenches

Pneurotorque Pistol Grip Pneumatic Wrenches provide a smooth and continuous output drive, which can be controlled using an Air Pressure Regulator, the Lubro Control Unit. Using the supplied graph, the air pressure can be set to stall out with a repeatability of +/- 5% on any given joint.

The pistol grip wrench is comfortable and safe for the user to operate, due to its non-impacting, lowvibration levels as well as its gear box, which has the ability to rotate independently. This means that reaction forces are not transmitted back to the operator, when they are using the product. As well as these features, the product has a wide range of additional properties:

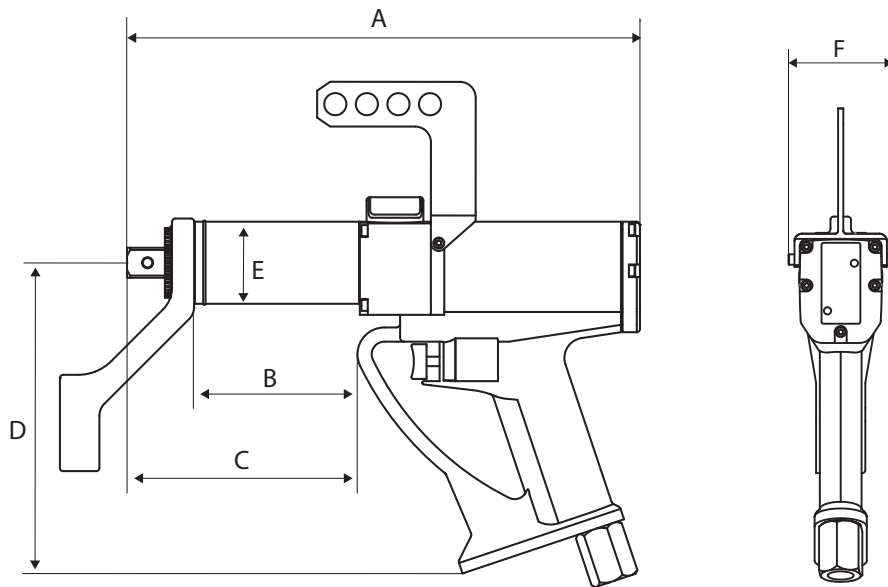
Features and Benefits

- ✓ Works at up to 6000 Nm
- ✓ Capable of operating at less than 6 bar
- ✓ Changeable forward and reverse functions
- ✓ Non-impacting pistol grip
- ✓ Noise levels less than 85 dB
- ✓ Soft start trigger controls
- ✓ Optional automatic 2 speed gear



Technical Information

Model	Square Drive	Range		Free Speed	A	B	C	D	E	F	Tool weight	Reaction
	Inch	Nm	lb.ft	rpm	mm	mm	mm	mm	mm	mm	Kg	Kg
PTM-72-1000-B	3/4"	200-1000	147-738	140	365	132	186	201	72	58	6.1	0.7
PTM-72-1350-B	1"	270-1350	200-1000	105	365	132	186	201	72	58	6.1	0.7
PTM-72-2000-B	1"	400-2000	295-1475	70	398	166	219	201	72	58	6.5	0.7
PTM-92-2700-B	1"	540-2700	400-2000	57	387	178	243	205	92	58	8.5	1.35
PTM-92-3500-B	1"	700-3500	520-2600	41	387	178	243	205	92	58	8.5	1.35
PTM-119-4500-B	1 1/2"	900-4500	660-3300	32	456	197	277	200	119	58	13.3	2.2
PTM-119-6000-B	1 1/2"	1200-6000	885-4500	25	456	197	277	200	119	58	13.3	2.2



PLEASE NOTE: Figures provided are for guidance only, please refer to individual tool charts. All data is given in good faith and without acceptance of responsibility on the part of HTL.

INDUSTRY LEADERS IN CONTROLLED BOLTING, FLANGE WORKING AND PORTABLE MACHINE SOLUTIONS



HTL Australasia Pty Ltd
 466 Victoria Road
 Malaga, WA 6090
 Western Australia

Telephone: +61 (0) 8 9249 3980
 Email: info@htl-australasia.com
 Visit: www.htl-australasia.com

