



The Norbar Pneutorque® PTS

The result of an extensive design project, with their respected gearboxes to deliver the new PTS range of accurate, efficient, quiet pneumatic multipliers.

With an ergonomically designed handle and trigger providing optimum comfort, together with a directional exhaust barrel which directs exhaust away from operator, the new PTS range is the perfect tool to offer support and ease of handling when applying torque.

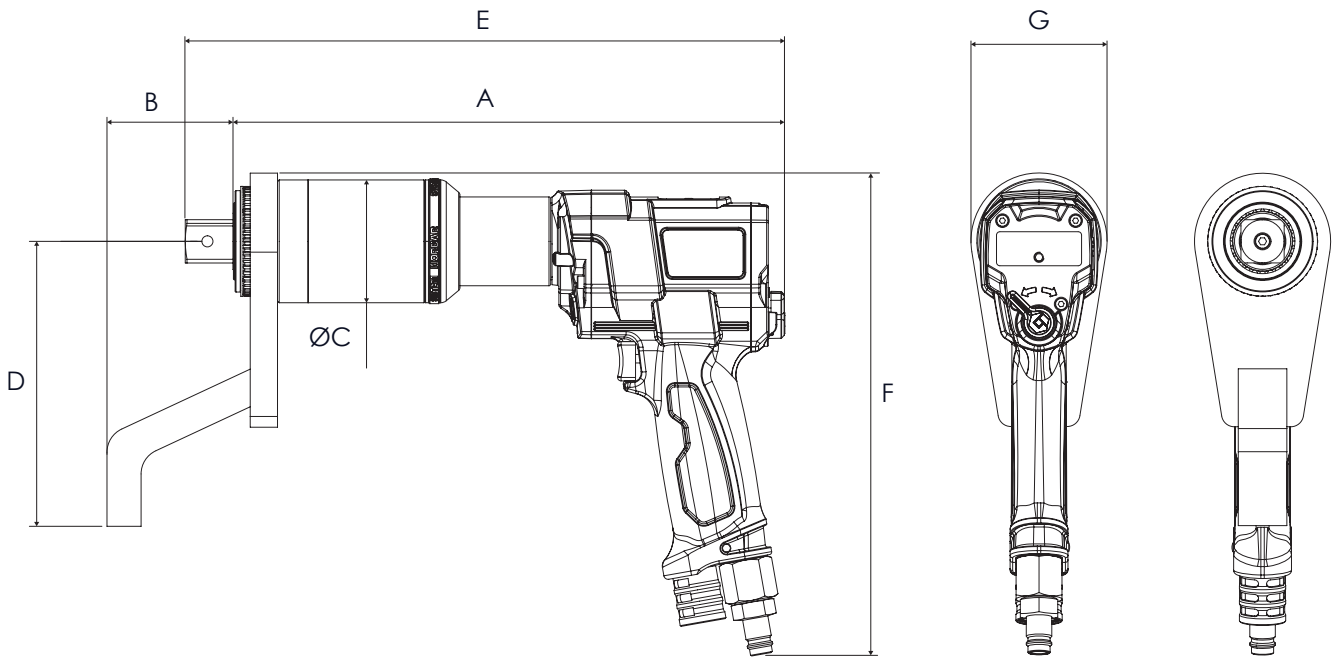
Features and Benefits

- ✓ Faster
- ✓ Lighter
- ✓ Smaller
- ✓ More accessories
- ✓ Accuracy is greater than +/-3%
- ✓ Exceptionally low vibration
- ✓ Bespoke reactions available
- ✓ Quiet operation
- ✓ Designed for optimum comfort



Technical Information

Model	Square Drive	Range		Dimensions (mm)							Tool Weight (kg)	Reaction Weight (kg)	Output Speed (rpm)
		Nm	lbf.ft	A	B	C	D	E	F	G			
PTS-52-500	3/4"	100 - 500	74 - 370	263	59	Ø52	131	287	256	69	4.2	0.85	35.5
PTS-52-800	3/4"	160 - 800	118 - 590	263	59	Ø52	131	287	256	69	4.2	0.85	25.7
PTS-72-1000	3/4"	200 - 1000	147 - 738	290	74	Ø72	167	318	266	80	6.24	1.4	20.4
PTS-72-1350	1"	270 - 1350	200 - 1000	290	74	Ø72	167	318	266	80	6.24	1.4	14.7
PTS-72-2000	1"	400 - 2000	295 - 1475	323	74	Ø72	167	352	266	80	6.6	1.4	9.2
PTS-80-2700	1"	540 - 2700	400 - 2000	290	74	Ø80	167	320	266	80	6.15	1.4	7.3
PTS-92-4000	1"	800 - 4000	590 - 2950	347	70	Ø92	175	377	272	92	8.95	2.5	5.3
PTS-92-4000	1 1/2"	800 - 4000	590 - 2950	347	70	Ø92	175	387	272	92	8.95	2.5	5.3
PTS-119-6000	1 1/2"	1200 - 1600	885 - 4425	369	90	Ø119	210	407	285	119	12.52	3.8	2.6



PLEASE NOTE: Figures provided are for guidance only, please refer to individual tool charts. All data is given in good faith and without acceptance of responsibility on the part of HTL.

EXCELLENCE IN CONTROLLED BOLTING & FLUID POWER SOLUTIONS



HTL Group Ltd
 45 Colbourne Avenue,
 Nelson Park Industrial Estate,
 Cramlington, Northumberland,
 NE23 1WD

Telephone: +44 (0) 1670 700 000
 Email: info@htlgroup.com
 Visit: www.htlgroup.com

