



Hands Free Bolting Back-Up Nut Safety Kit

The Safety Kits are simple, yet effective safety accessories which are easily fitted to Hands Free Bolting products. With over 12 variations, there is a kit available to fit all sizes of the Back-Up Nut. Each kit includes a quick connect carabiner, nylon encapsulated expandable lanyards and secure ring fixings.

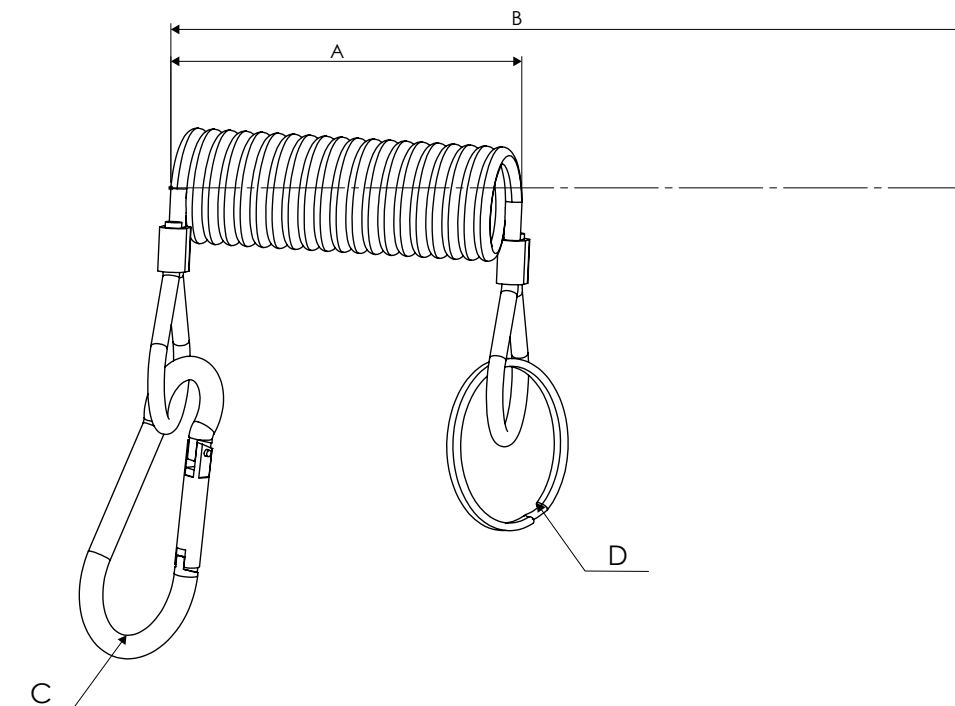


Technical Information

Tool	A	B*	C	D
	Length (mm)	Length (mm)	ID (mm)	ID (mm)
Back-Up Nut Safety Kit	80	1000	18	22

ID = Internal Diameter

* When expanded



PLEASE NOTE: Figures provided are for guidance only, please refer to individual tool charts. All data is given in good faith and without acceptance of responsibility on the part of HTL.

EXCELLENCE IN CONTROLLED BOLTING & FLUID POWER SOLUTIONS



HTL Group Ltd
45 Colbourne Avenue,
Nelson Park Industrial Estate,
Cramlington, Northumberland,
NE23 1WD

Telephone: +44 (0) 1670 700 000
Email: info@htlgroup.com
Visit: www.htlgroup.com

