

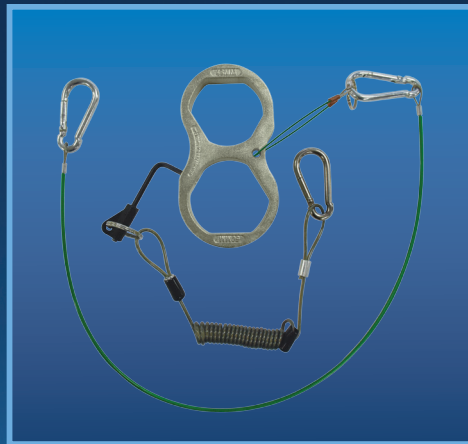
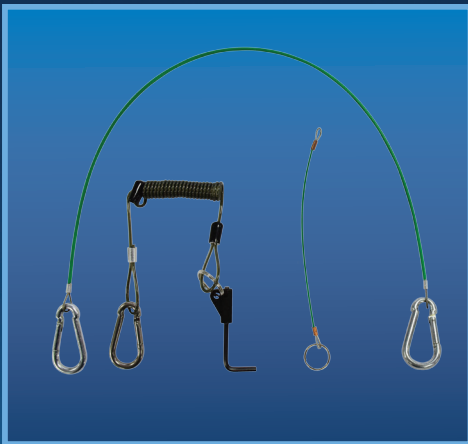


Hands Free Bolting No-Flog® 2 Safety Kit

Hands Free Bolting Safety Kits are simple, yet effective safety accessories which are easily fitted to Hands Free Bolting products.

With over 12 variations, there is a kit available to fit all sizes of the No-Flog® 2. Each including stainless steel tethers, quick connect carabiner's, nylon encapsulated expandable lanyards and secure Allen key fixings, the Hands Free Bolting Safety Kits are the ideal safety fittings to compliment the Hands Free Bolting product range.

NO-FLOG SIZE GUIDE FOR SELECTING SAFETY KIT

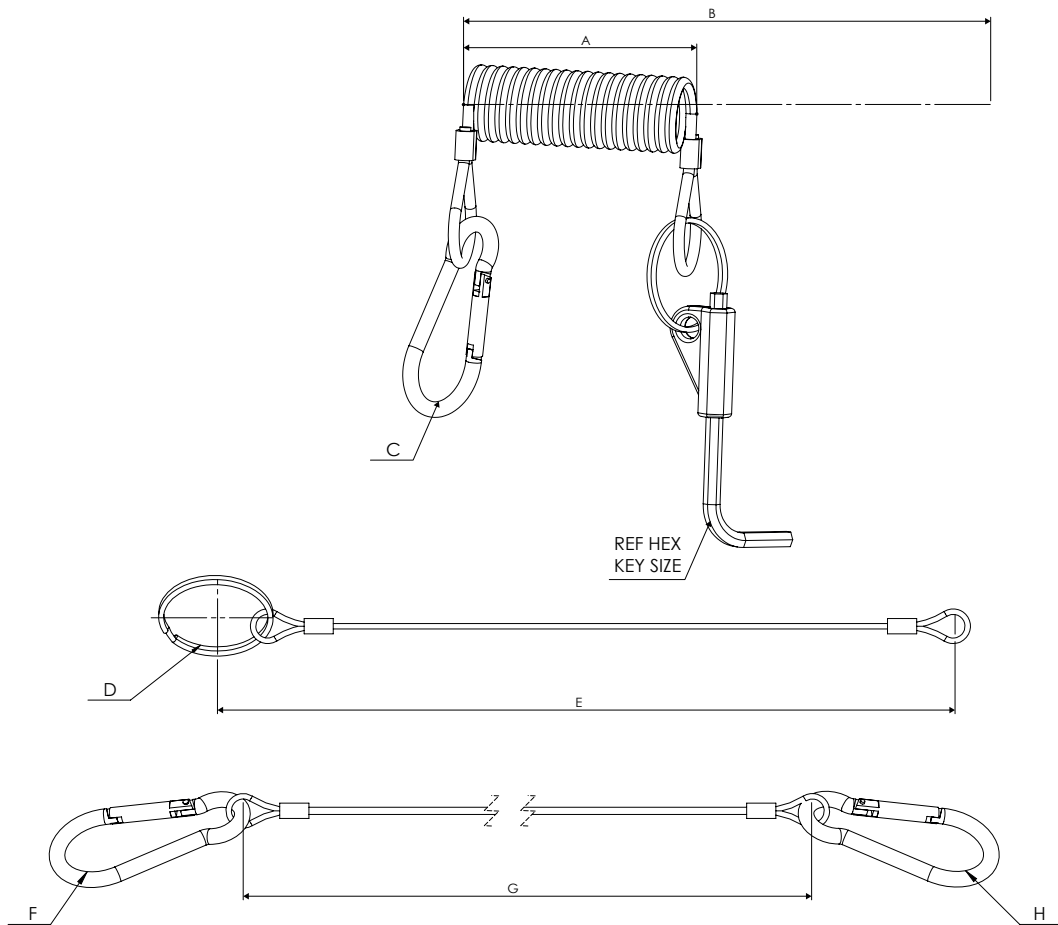


Technical Information

Tool	A	B*	C	D	E	F	G	H
	Length (mm)	Length (mm)	ID (mm)	ID (mm)	Length (mm)	ID (mm)	Length (mm)	ID (mm)
No-Flog® 2 Safety Kit	80	1000	18	22	225	18	600	18

ID = Internal Diameter

* When expanded



PLEASE NOTE: Figures provided are for guidance only, please refer to individual tool charts. All data is given in good faith and without acceptance of responsibility on the part of HTL.

EXCELLENCE IN CONTROLLED BOLTING & FLUID POWER SOLUTIONS



HTL Group Ltd
 45 Colbourne Avenue,
 Nelson Park Industrial Estate,
 Cramlington, Northumberland,
 NE23 1WD

Telephone: +44 (0) 1670 700 000
 Email: info@htlgroup.com
 Visit: www.htlgroup.com

