



# Hands Free Bolting Flange Alignment Pin Boxed Sets

Flange Alignment Pins compensate for the misalignment of bolt holes. The Flange Alignment Pins available from HTL are designed with a tapered end, allowing access to offset bolt holes and when simply turned 180°, the Pin aligns the two bolt holes together.

Eliminating the requirement for a hammer, Flange Alignment Pins increase onsite safety and speed up bolting processes.

With a safety tether attachment feature included, you can add the Flange Alignment Safety Kit to ensure that the tool can be tethered, preventing dropped objects.

The Boxed Sets come in Small, Medium and Large Flange Alignment Pin sizes and are supplied in a handy carry case that provides durable storage.

## Alignment Tool Kit - Small (x 2 of each)

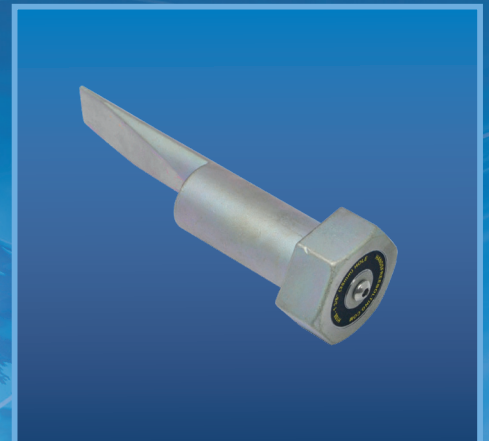
- $\frac{3}{4}$ " Bolt Hole
- $\frac{7}{8}$ " Bolt Hole
- 1" Bolt Hole
- $1\frac{1}{8}$ " Bolt Hole

## Alignment Tool Kit - Medium (x 2 of each)

- $1\frac{1}{4}$ " Bolt Hole
- $1\frac{3}{8}$ " Bolt Hole
- $1\frac{1}{2}$ " Bolt Hole
- $1\frac{5}{8}$ " Bolt Hole

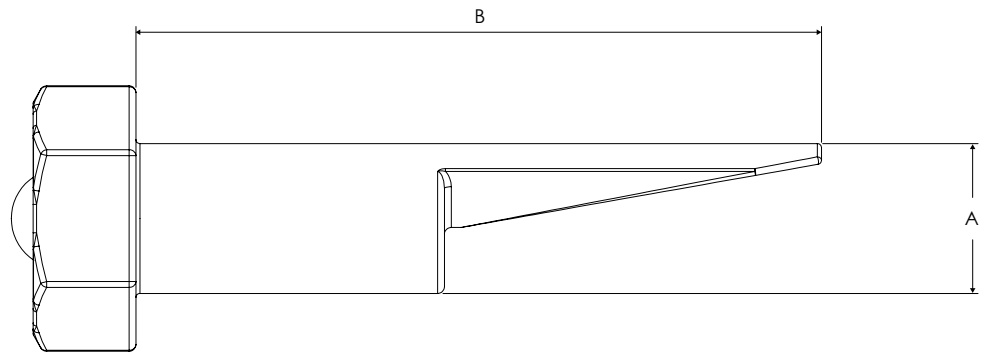
## Alignment Tool Kit - Large (x 2 of each)

- $1\frac{3}{4}$ " Bolt Hole
- $1\frac{7}{8}$ " Bolt Hole
- 2" Bolt Hole



# Technical Information

Boxed Set	Model No.	A (Bolt Hole Diameter)		B (Length)		Weight
		Inches	mm	Inches	mm	Kg
Small H-901	H-103	3/4	0.75	3 1/4	80.0	0.2
	H-104	7/8	22.2	3 1/2	88.9	0.3
	H-105	1	25.4	4	101.6	0.4
	H-106	1 1/8	28.6	5	127.0	0.6
Medium H-902	H-107	1 1/4	31.8	5 1/2	139.7	0.9
	H-108	1 3/8	34.9	6 1/4	158.8	1.1
	H-109	1 1/2	38.1	6 1/2	165.1	1.5
	H-110	1 5/8	41.3	7 1/4	184.1	1.9
Large H-903	H-111	1 3/4	44.4	7 7/8	200.0	2.3
	H-112	1 7/8	47.6	8 3/8	212.7	2.8
	H-113	2	50.8	9	228.6	3.5



Model No.	Bolt Size	Boxed Set		
		Small H-901	Medium H-902	Large H-903
H-103	3/4	●	○	○
H-104	7/8	●	○	○
H-105	1	●	○	○
H-106	1 1/8	●	○	○
H-107	1 1/4	○	●	○
H-108	1 3/8	○	●	○
H-109	1 1/2	○	●	○
H-110	1 5/8	○	●	○
H-111	1 3/4	○	○	●
H-112	1 7/8	○	○	●
H-113	2	○	○	●

● Included      ○ Not Included

PLEASE NOTE: Figures provided are for guidance only, please refer to individual tool charts. All data is given in good faith and without acceptance of responsibility on the part of HTL.

## GLOBAL EXCELLENCE IN CONTROLLED BOLTING SOLUTIONS



HTL Group Ltd  
45 Colbourne Avenue,  
Nelson Park Industrial Estate,  
Cramlington, Northumberland,  
NE23 1WD

Telephone: +44 (0) 1670 700 000  
Email: info@htlgroup.com  
Visit: www.htlgroup.com

