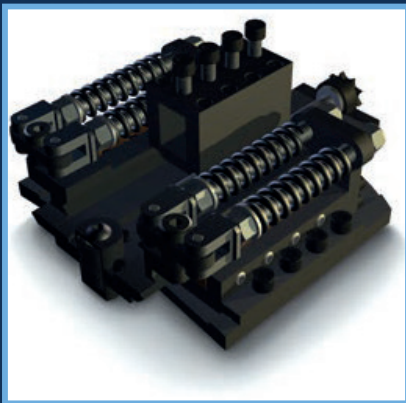




# Clamshell Accessories



## Out-of-round Tool Block Slide

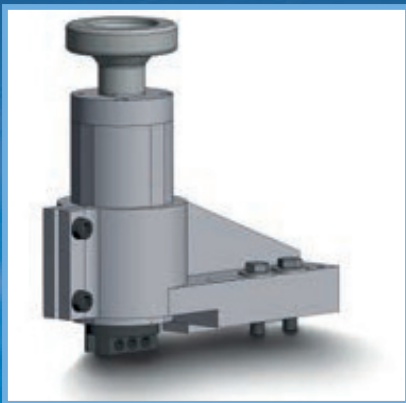
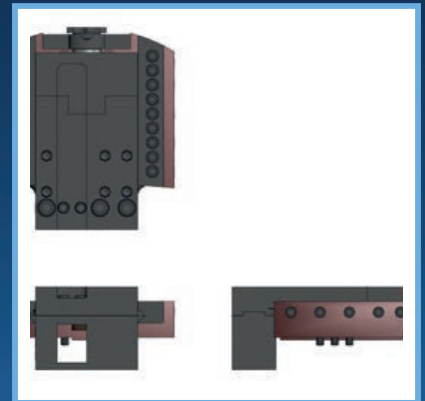
- ✓ Dual compensating Spring Assembly
- ✓ Rides on OD of pipe and tracks the contour
- ✓ For up to 1" out-of-round

\* When requesting the out of round slide please also specify a tripper to suit you clamshell model type

## Low Profile Tool Slide

- ✓ Brings cut line closer to the back of machine
- ✓ Allows cutting & bevelling on short pipe sections
- ✓ Use for facing, RTJ grooves and compound angle weld preps

\* When using the Low Profile Slide you must use a clamshell machine at least 8" larger than the pipe diameter.



## Counter-bore Swivel Head Modules

- ✓ 6" and 10" sizes available
- ✓ Match Boring Applications
- ✓ Up to 60 degree adjustability in the head
- ✓ ID Beveling

## Hydraulic Power Packs

- ✓ Choice of 20 lpm and 40 lpm
- ✓ Large wheels and hand bars enable easy handling on-site
- ✓ Simple operation
- ✓ Driven by an electric engine
- ✓ Easy change oil filter



1.0/SH/09.04.2020